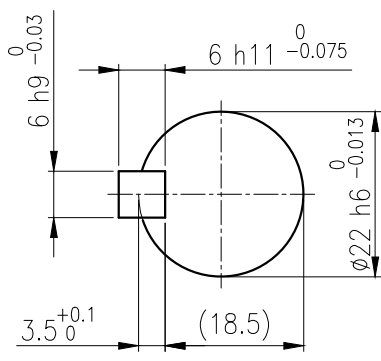
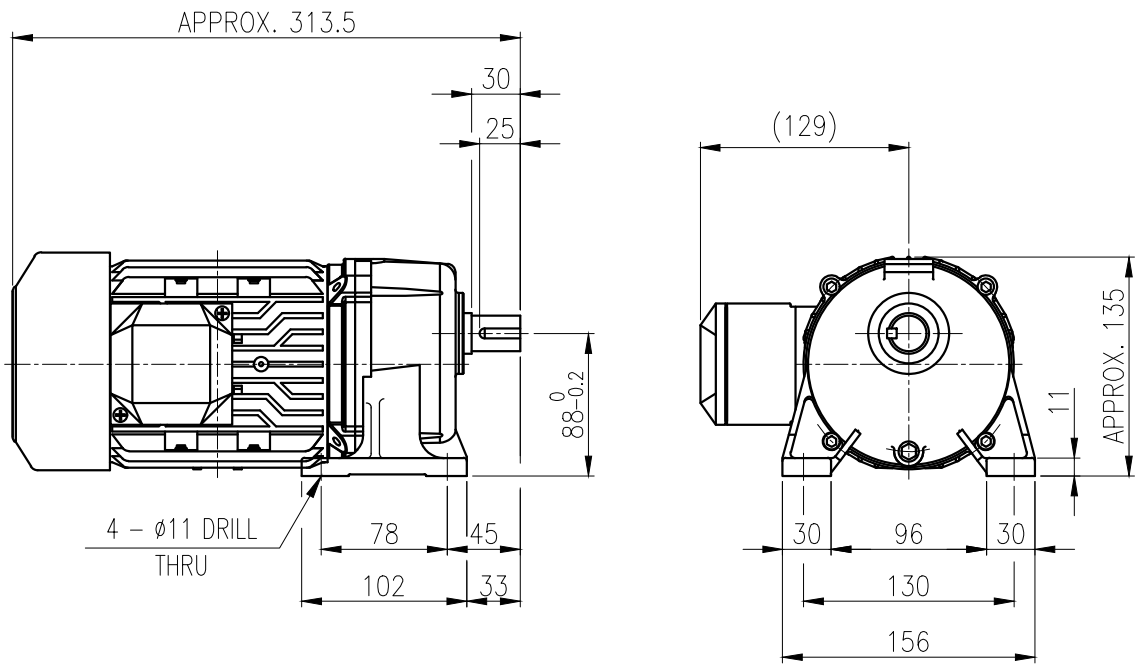


1	2	3	4	5				
No.	NAME	MATERIAL	DWG/MATL No.	CODE	Q'TY	SIZE	WEIGHT	REMARK
					0			



**OUTPUT SHAFT**

KEY 6 x 6 x 22

		BEARING			
		INPUT SHAFT	6202ZZ	6202ZZ	
OIL SEAL		2ND PINION	6000ZZ	6000ZZ	GREASE : NLGI(EP)00
MOTOR SHAFT	D(M) 15 x 25 x 7	3RD PINION	(6001ZZ)	(6000ZZ)	ABOUT 0.2 kg
OUTPUT SHAFT	D(M) 25 x 40 x 8	OUTPUT SHAFT	6005ZZ	MP - 2	WEIGHT 9 kg

		DWG NAME 외형도 OUTLINE DIMENSION							
		DWG No. <b>EK2DO07901H0001</b>		UNIT mm					
				SCALE 1:1					
No.	DATE	DESCRIPTION of REVISION		DESIGNED	CHECKED	REVIEWED	APPROVED	DATE	2019-06-13
A4(210X297mm)	FORM CE-14-0100-444 2013.11.20	<b>HYOSUNG HEAVY INDUSTRIES</b>		2019.06.13 김학묵	2019.06.13 문병선	2019.06.13 박희성	2019.06.13 홍원철	REVISION No.	01
TYPE		F1HM_8_0.2kW_5~100:1		THIRD ANGLE PROJECTION					
		REF. No.						A	

이 도면상에 표시된 정보는 호성중공업(주)의 소유이며 당사의 사전 서면동의 없이 무단사용을 금합니다.