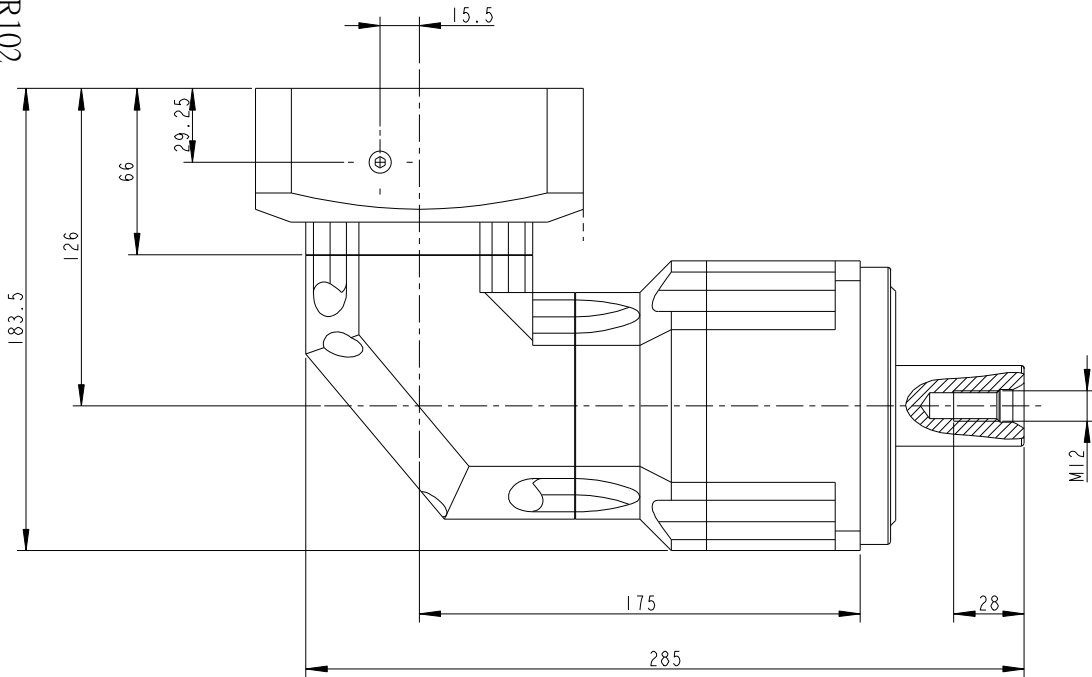
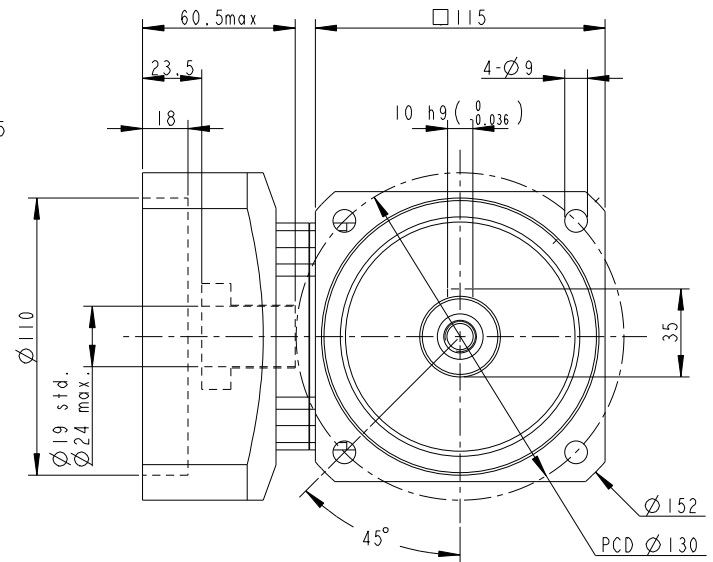
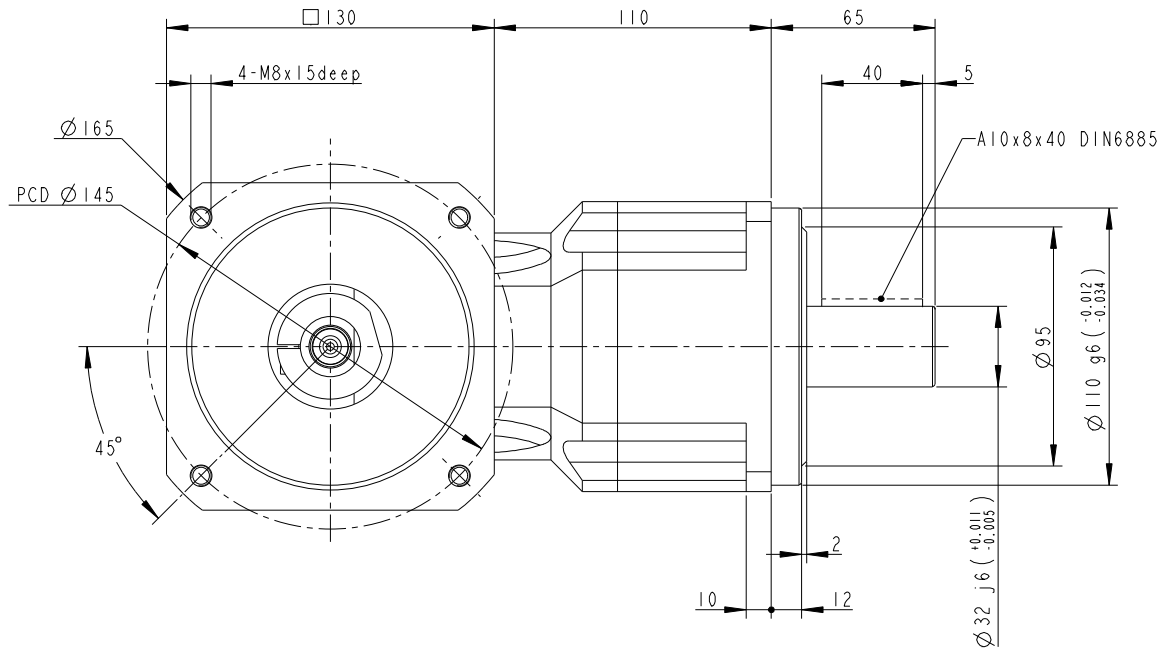


ABR115M1 - 025 - S2 - P2 / MITSUBISHI HG-SR102


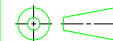


INERTIA: 1.87-2.25 kg-cm²
 MASS: 14.2 Kg

SHAFT OPTION S1: SMOOTH OUTPUT SHAFT(STANDARD)
 SHAFT OPTION S2: OUTPUT SHAFT WITH KEYWAY
 MICRO BACKLASH<= 4 arcmin
 REDUCED BACKLASH<= 7 arcmin
 STANDARD BACKLASH<= 9 arcmin

***BUSHING SUPPLIED WHEN MOTOR SHAFT DIAMETER SMALL THAN Ø24

Old Part No. ABR1152-P4031004

PART NO. ABR1152-P0401301004 ABR115-2, AD-W90-M130-4		 APEX DYNAMICS, INC.		
APPROVALS	DATE	TITLE ABR115 2 STAGES, RATIO= 25-200 AND MOTOR FLANGE MOUNTING		
DRAWN 江淑惠		DWG NO. ABR1152-P0401301004		
CHECKED				
APPROVED		 SIZE A1	SCALE 1:1	REV 2.0