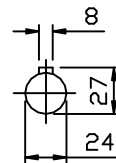
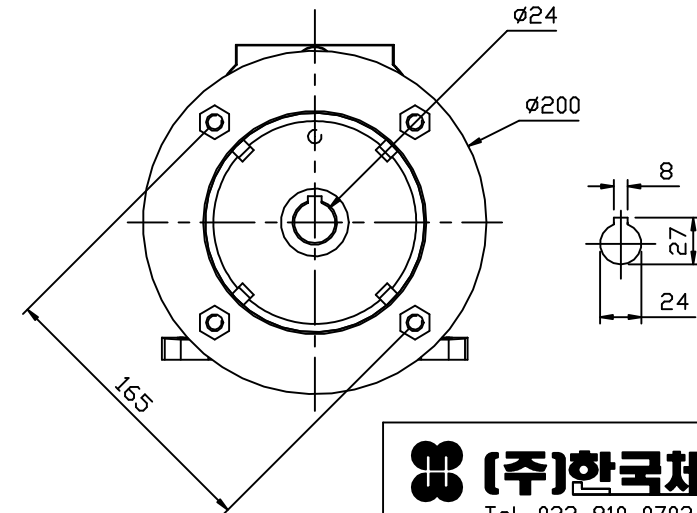
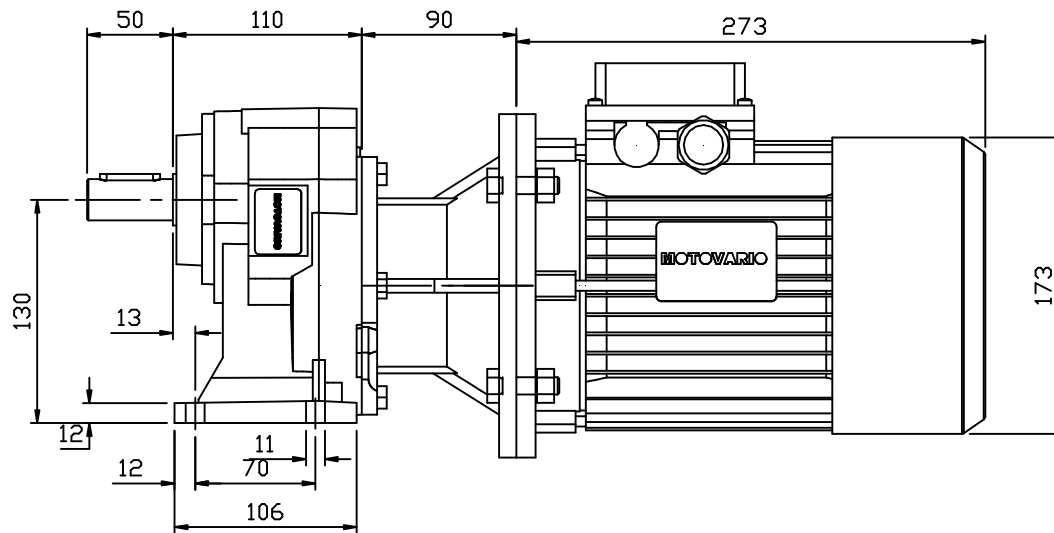
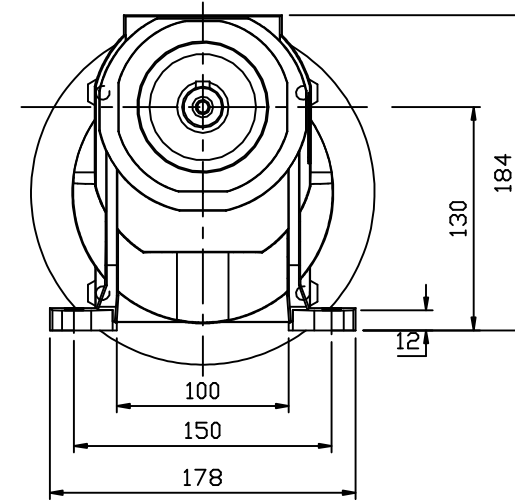
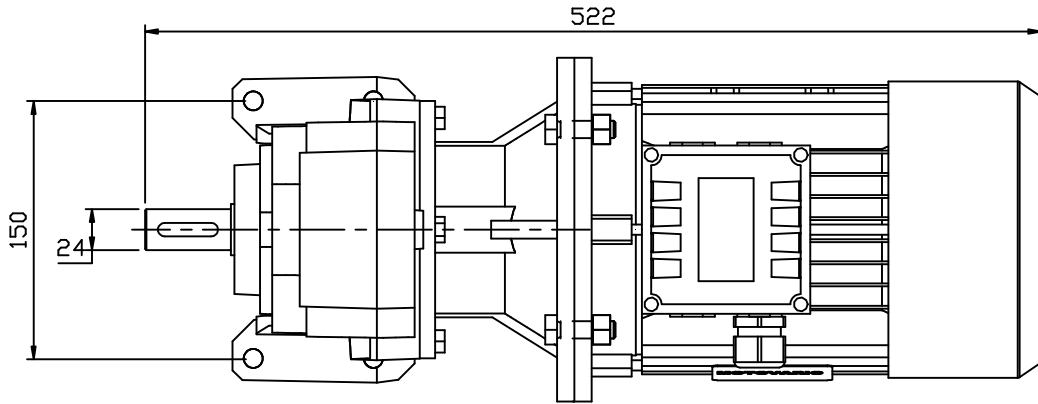


| NO | DESCRIPTION | MATERIAL | SIZE | DWG. NO | Q'TY | WT. (KG) |       | REMARK |
|----|-------------|----------|------|---------|------|----------|-------|--------|
|    |             |          |      |         |      | UNIT     | TOTAL |        |
|    |             |          |      |         |      |          |       |        |



**(주)한국체인모터**  
Tel. 032-810-0702 Fax. 815-8123

|                  |            |       |          |              |         |                    |  |      |    |       |      |
|------------------|------------|-------|----------|--------------|---------|--------------------|--|------|----|-------|------|
| CUSTOMER APPROVE |            | AMEND |          | PROJECT      |         | MOTOVARIO          |  |      |    |       |      |
| MECHANICAL       | ELECTRICAL | △     |          | MODEL        |         | H051 90B5          |  |      |    |       |      |
|                  |            | △     |          | MODEL NUMBER |         | HELICAL GEAR MOTOR |  |      |    |       |      |
|                  |            | △     |          | DRAWN        | LEE M.P | DATE               |  | REV  | A  | SCALE | NONE |
|                  |            | △     |          | CHECKED      | KIM J.S | DATE               |  | UNIT | MM | PAGE  | -    |
| NO               | CONTENT    | DATE  | APPROVED | LEE J.Y      | DATE    |                    |  |      |    |       |      |

