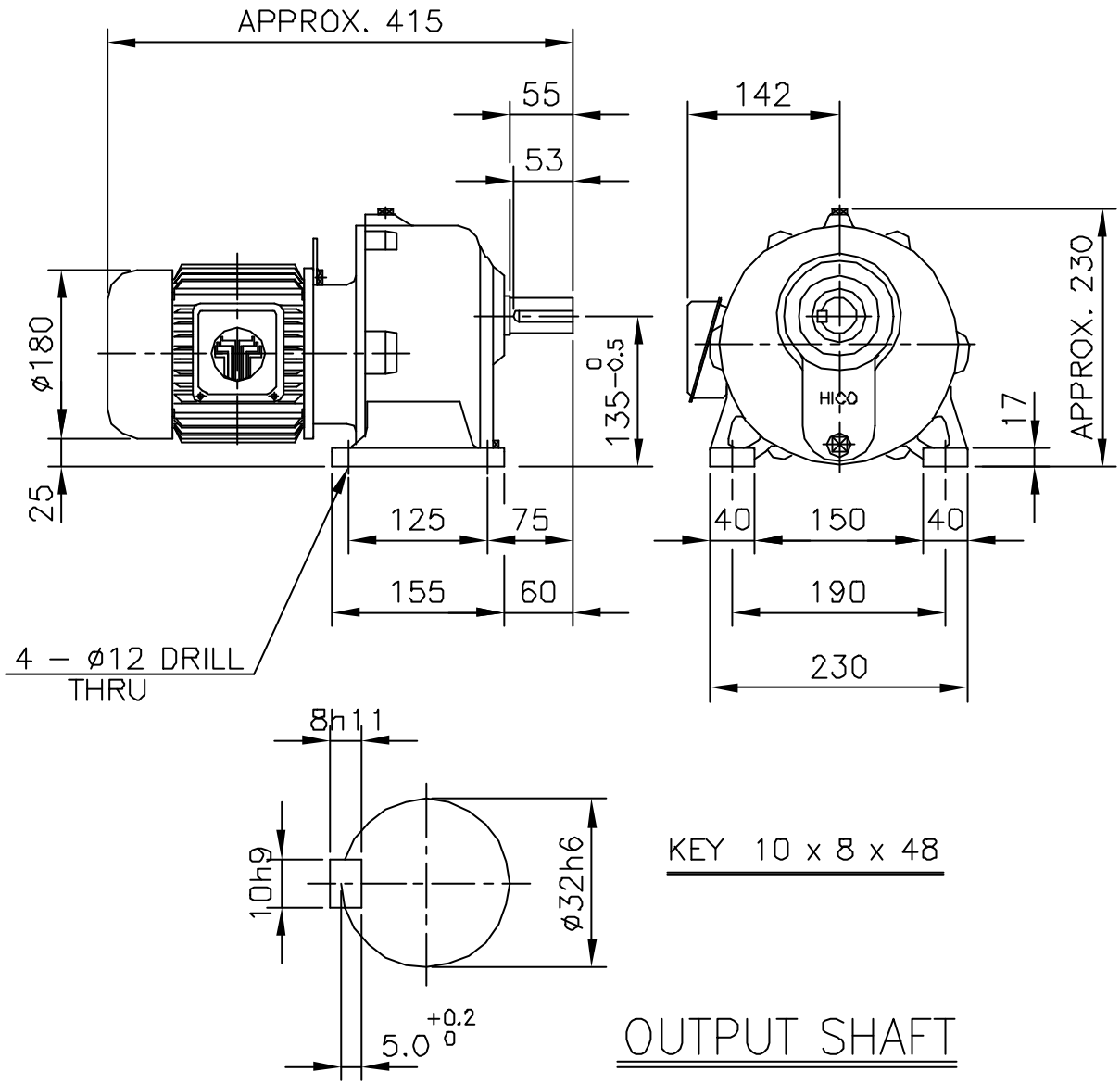


REV	DESCRIPTION	APPR	CHCK	DRWN	DATE
△					
△					
△					
△					



	BEARING		
OIL SEAL	6203ZZ	6205ZZ	GREASE : NLGI(EP)00
D(M) 18 x 30 x 8	6302ZZ	6304ZZ	ABOUT 0.3 kg
D(M) 35 x 55 X 11	6307ZZ	PM2025	WEIGHT 32 Kg

TYPE	FHB	DWG. NAME	OUTLINE DIMENSION
	1HP 4P 25~30		

APPROV	CHECK	DESIGN	DRAWN	THIRD ANGLE PROJECTION	SCALE	1 / 6.25	DATE 1988.09.
김동일	정영길	문병욱	홍원철				
96.12.26	96.12.26	96.12.24	96.12.23				
REF DWG NO.	80						

HYOSUNG INDUSTRIES CO.,LTD.	DWG NO.	G K E N O O 2
-----------------------------	---------	---------------