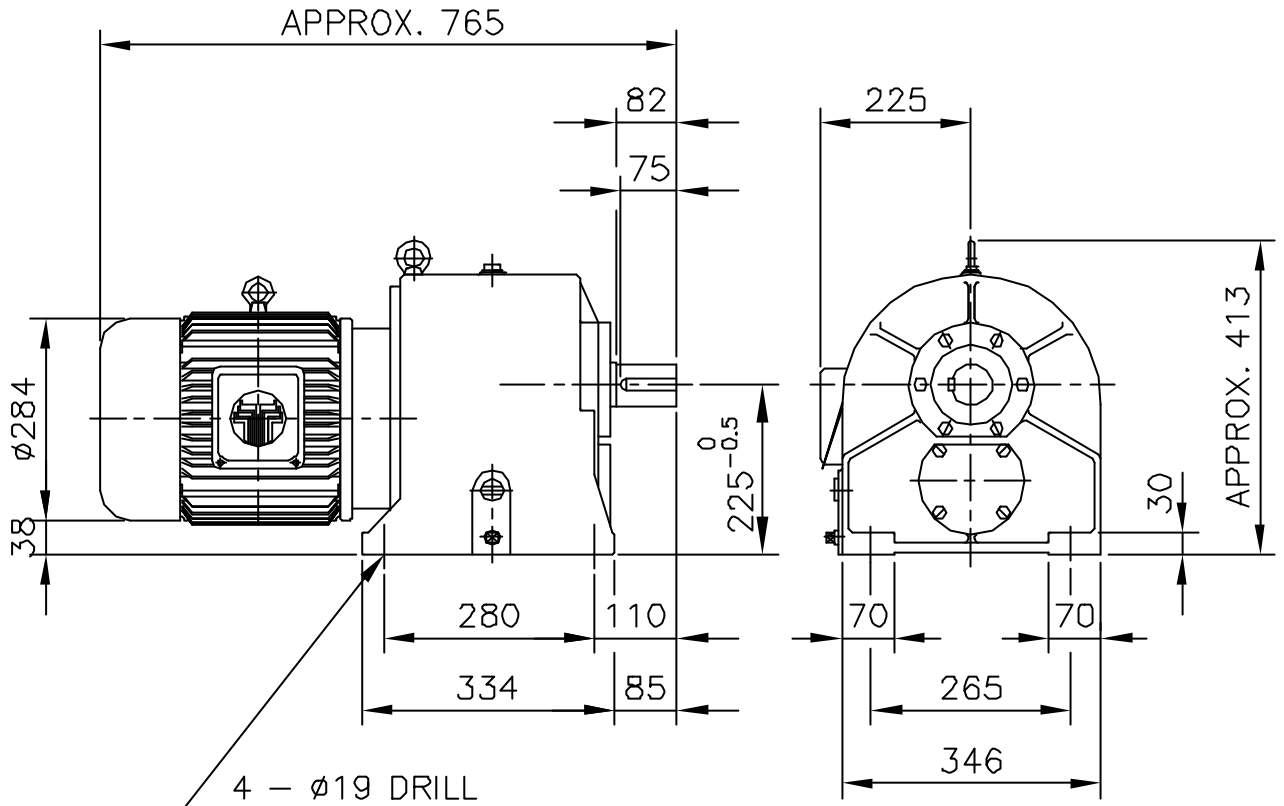


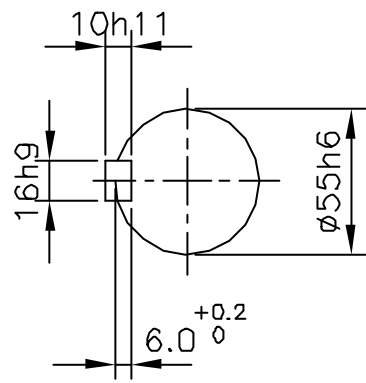
REV	DESCRIPTION	APPR	CHCK	DRWN	DATE
△					
△					
△					
△					



4 - Ø19 DRILL THRU

KEY 16 x 10 x 67

OUTPUT SHAFT



		BEARING		
OIL SEAL		6206ZZ	6309ZZ	OIL : ISO VG 220
D(M)	45 x 68 x 12	30208	30308	ABOUT 7 l
D(M)	60 x 82 x 12	30211	30212	WEIGHT 153 kg

TYPE	FHB	DWG. NAME	OUTLINE DIMENSION
	10HP 4P 25~30		

APPROV	CHECK	DESIGN	DRAWN	THIRD ANGLE PROJECTION	SCALE	1/10	DATE	1988.9.
김동일	정영길	문병욱	홍원철					
96.12.26	96.12.26	96.12.24	96.12.23					

REF DWG NO.	132M
DWG NO.	G K E N 1 0 0

HYOSUNG INDUSTRIES CO.,LTD.