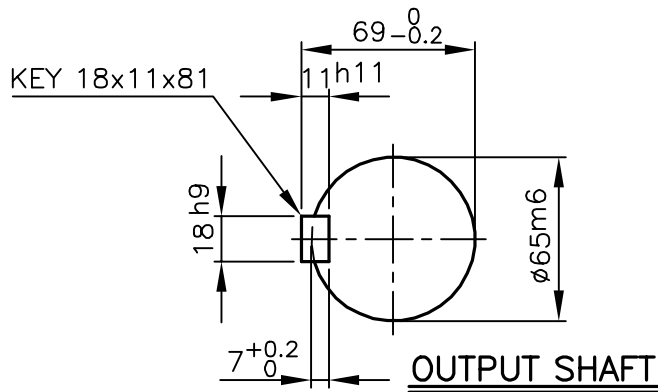
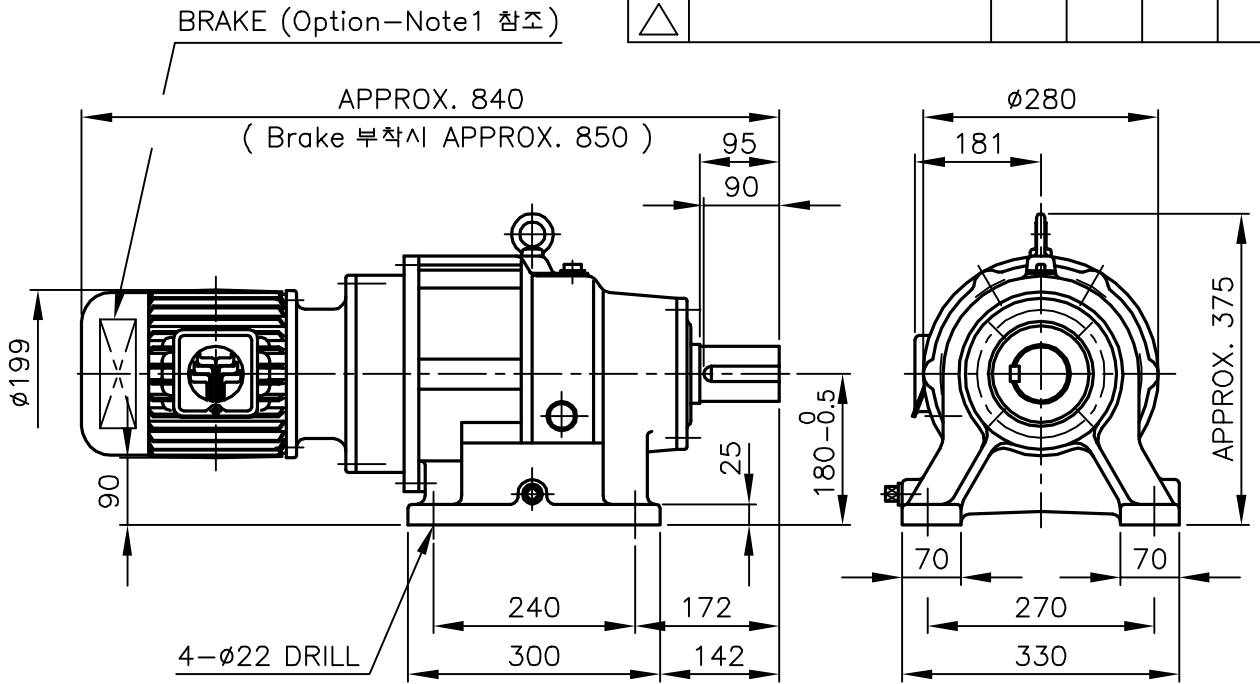


REV	DESCRIPTION	APPR	CHCK	DRWN	DATE
△					
△					
△					
△					



[NOTE] 1. Brake는 Option으로 구매자의 요구시에만 부착됩니다.  
 ( Brake 사양 : DC Magnetic Disc Brake "B" Type )

		BEARING					
		#6204ZZ	#6305ZZ				
적용 사양	OIL SEAL	M/B20x30x16	M/B30x40x25	OIL : ISO VG 220			
[60Hz] 1HP 6P 1/180 2HP 4P 1/180	D(M) 20x32x8	M/B30x40x40		OIL QUANTITY : ABOUT 3.2 l			
	D(M) 70x95x13	#6214	#22214	WEIGHT : 135 Kg			
[50Hz] 0.5HP 6P 1/320 1HP 6P 1/180	TYPE			DWG. NAME			
	PHM "E,F"			OUTLINE DIMENSIONS			
	APPROV	CHECK	DESIGN	DRAWN	THIRD ANGLE PROJECTION	SCALE 1/9	DATE 1998.8.20
	이 98.12.4 호영	문 98.12.4 병욱	정 98.12.4 재영		MOTOR FRAME		90
HYOSUNG CORPORATION			DWG NO.	P K E N 3 0 8			